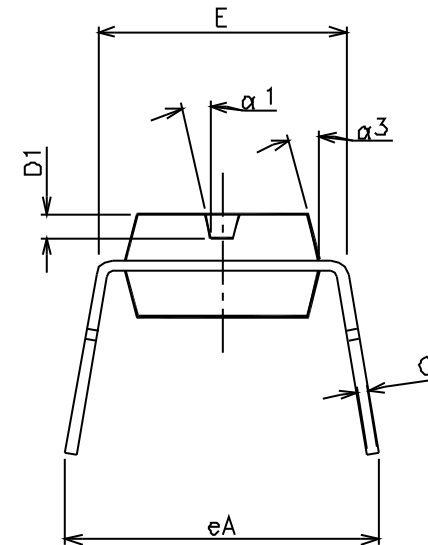
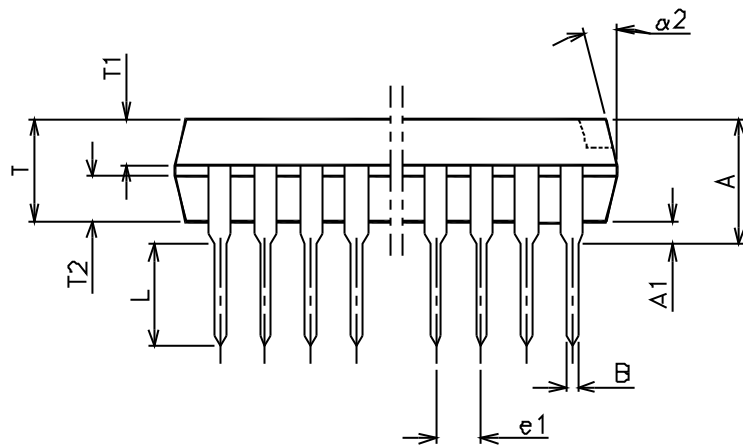
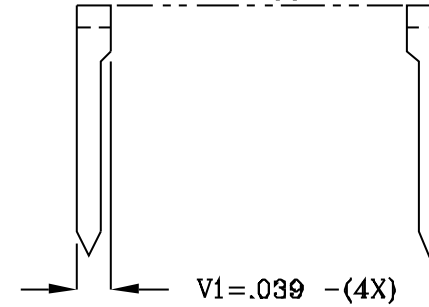
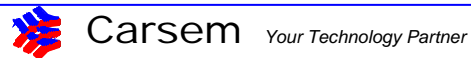


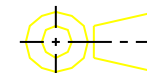
REMARK:  
For 8LD and 16LD  
all end leads (4x)  
is half lead types.



FOR REVISION UPDATE PLEASE REFER TO HISTORY OF CHANGES.



REV D	DWG NO: PKGPD0001	
	APP'D	
	CHECKED	
	DESIGNED	
	DRAWN	




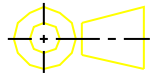
FILE:\PKGPD0001
Plastic D.I.L Package Outline
PAGE: 1 OF 2

N		8Ld IDF	14/16Ld	18Ld	20Ld						
LEAD WIDTH ±.002	B	.018	.018	.018	.018						
SPADE WIDTH ±.002	B1	.060	.060	.060	.060						
LEAD THICKNESS ±.002	C	.010	.010	.010	.010						
LENGTH ±.004	D	.375	.750	.890	1.020						
IDENT DEPTH	D1	.030 ~.060	.030 ~.060	.030 ~.060	.030 ~.060						
SHOULDER WIDTH OUTER TO OUTER	E	.300 ~.325	.300 ~.325	.300 ~.325	.300 ~.325						
WIDTH ±.004	E1	.250	.250	.250	.250						
LEAD SPREAD OUTER TO OUTER	eA	.320 ~.370	.320 ~.370	.320 ~.370	.320 ~.370						
LEAD PITCH ±.002	e1	.100	.100	.100	.100						
LEAD LENGTH ±.004	L	.125	.125	.125	.125						
ID RADIUS ±.002	R	.030	.030	.030	.030						
TOTAL THICKNESS ±.004	T	.130	.130	.130	.130						
TOP PKG THK ±.002	T1	.060	.060	.060	.060						
BOTTOM PKG THK ±.002	T2	.060	.060	.060	.060						
LEAD TO END PACKAGE	W	.038 REF.	.075 REF. 14LD .025 REF. 16LD	.045 REF.	.060 REF.						
IDENT DRAFT ±3°	α1	7°	7°	7°	7°						
END ANGLE (4X) ±3°	α2	7°	7°	7°	7°						
SIDE ANGLE (4X) ±3°	α3	7°	7°	7°	7°						
	A	.145 ~.170	.145 ~.170	.145 ~.170	.145 ~.170						
	A1	.015 ~.040	.015 ~.040	.015 ~.040	.015 ~.040						

NOTE : 1 SPADE WIDTH, LEAD WIDTH AND LEAD THICKNESS EXCLUSIVE OF TIN PLATING OR SOLDER DIPPING THICKNESS.  
 2. PACKAGE OUTLINE EXCLUSIVE OF ANY MOLD FLASHES.  
 3. PACKAGE OUTLINE EXCLUSIVE OF BURR DIMENSION.

4. PACKAGE FINISHING TOP AND SIDE : MATTE CHARMILES #18~30  
 BOTTOM : GLOSS OR CHARMILES # 18~30  
 5. PIN NO.1 IDENTIFER ARE OPTIONAL

FOR REVISION UPDATE PLEASE REFER TO HISTORY OF CHANGES.

 <b>Carsem</b> Your Technology Partner		FILE:\PKGPD0001
REV D	DWG NO: PKGPD0001	
	APP'D	
	CHECKED	
	DESIGNED	
	DRAWN	
		Plastic D.I.L Package Outline PAGE: 2 OF 2